

FEATURE:

- Whole Solid State, Mixture Integrated
- High Speed, Low Loss, High Precision
- Field Removable SMA(F) Connector
- Operating Temperature: -55~+85°C
- Wideband, High Reliability



APPLICATION:

- Test Equipment
- Subsystems
- Prototypes

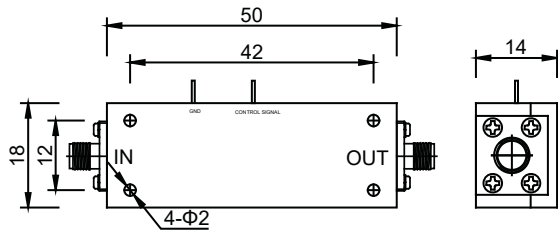
SPECIFICATIONS@25°C:

Part Number	Frequency Range (GHz)	Insertion Loss (dB)	VSWR Max	Attenuate Range (dB.Max)	Input power (W.Max)	Flatness (±dB)	Speed (ns.Max)	Control (V@20 mA)	Case Type
MVC002001A60	0.01-0.2	1	1.5	0-60	0.5	/	/	5V	AT8
MVC001005R60	0.1-0.5	0.5	1.5	0-60	0.5	2	1000	2-5	AT1
MVC002007A60	0.25-0.75	1.1	1.5	0-60	0.5	/	/	0-5	AT8
MVC005010R60	0.5-1	0.5	1.5	0-60	0.5	1.5	1000	0-5	AT1
MVC005010F60	0.5-1	0.5	1.5	0-60	0.5	1.5	100	0-5	AT1
MVC0050250R60	0.5-2	1	1.9	0-60	0.5	/	/	0-5	AT8
MVC007013A60	0.7-1.3	1.2	1.5	0-60	0.5	2.5	1000	0-5	AT1
MVC010020R60	1-2	0.7	1.5	0-60	0.5	1.5	1000	0-5	AT1
MVC010020F60	1-2	0.7	1.5	0-60	0.5	1.5	100	0-5	AT1
MVC010020A80	1-2	1.1	1.5	0-80	0.2	1	1000	0-5	AT1
MVC010030A80	1-3	1.6	1.7	0-80	0.5	1.5	1000	0-5	AT1
MVC010030R80	1-3	2	1.7	0-80	/	2.5	/	0-5	AT1
MVC010180R60	1-18	2.5	2.5	0~60	0.5	4	1000	0-5	AT1
MVC020040R60	2-4	0.9	1.5	0-60	0.5	1.5	1000	0-5	AT1
MVC020040F60	2-4	1	1.5	0-60	0.5	1.5	100	0-5	AT1
MVC020040A80	2-4	1.7	1.5	0-80	0.2	1	1000	0-5	AT1
MVC020080R60	2-8	1.3	2.1	0-60	0.5	2.5	1000	0-5	AT1
MVC020180A60S	2-18	5	2.2	0-60	27dBm	/	/	0~-3	AT4
MVC020180R60	2-18	3	2.2	0-60	0.5	5	1000	0-5	AT1
MVC020180F60	2-18	2.5	1.9	0-60	0.5	4	100	0-5	AT1
MVC040080R60	4-8	1.1	1.6	0-60	0.5	1.5	1000	0-5	AT1
MVC040080F60	4-8	1.3	1.6	0-60	0.5	1.5	100	0-5	AT1
MVC040080A80	4-8	1.9	1.7	0-80	0.2	1.5	1000	0-5	AT1
MVC080120R60	8-12	1.9	1.7	0-60	0.5	1.5	1000	0-5	AT2

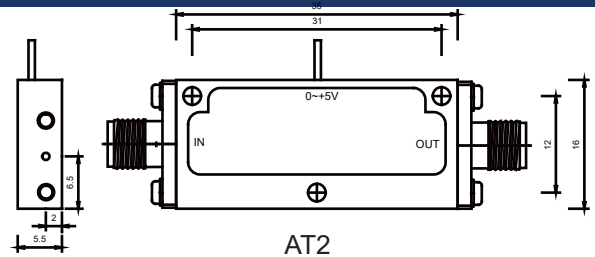


VOLTAGE CONTROLLED ATTENUATOR

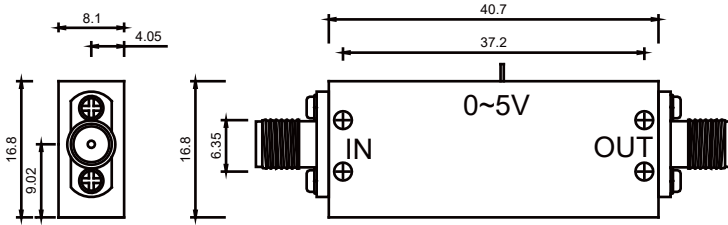
Part Number	Frequency Range (GHz)	Insertion Loss (dB)	VSWR Max	Attenuate Range (dB.Max)	Input power (W.Max)	Flatness (\pm dB)	Speed (ns.Max)	Control (V@20 mA)	Case Type
MVC080120F60	8-12	1.9	1.7	0-60	0.5	1.5	100	0-5	AT3
MVC080120A80	8-12	2.3(typ)	1.7(typ)	0-80	0.2	1.5	1000	0-5	AT3
MVC080180R60	8-18	3.5	2	0-60	0.5	2.5	1000	0-5	AT2
MVC090100F45	9-10	1.3	1.5	0-45	0.5	1(Typ.)	1000(Typ.)	0-5	AT3
MVC094098R30	9.4-9.8	2	2	30	0.2	1.5	/	0-5	AT6
MVC120180R60	12-18	2.2	1.9	0-60	0.5	1.5	1000	0-5	AT2
MVC120180A80	12-18	2.6	1.9	0-80	0.2	2(typ)	1us(typ)	0-5	AT3
MVC120180F60	12-18	2.2	1.9	0-60	0.5	1.5(typ)	1us(typ)	0-5	AT3
MVC140150A30	14-15	1.4	1.7	0-30	/	/	/	0-5	AT9
MVC167172A30	16.75-17.25	2	1.8	30 Min	36dBm	/	/	0-5	AT5
MVC341349A30	34.1-34.9	3.5	2	30 Min	36dBm	/	/	0-5	AT10



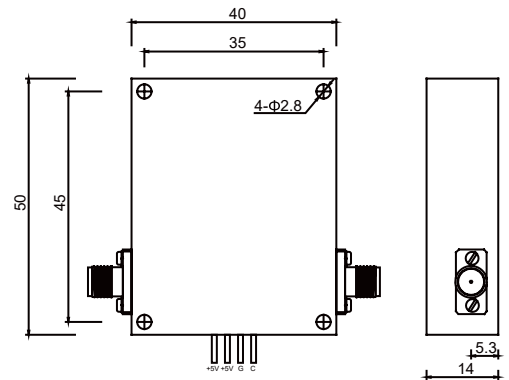
AT1



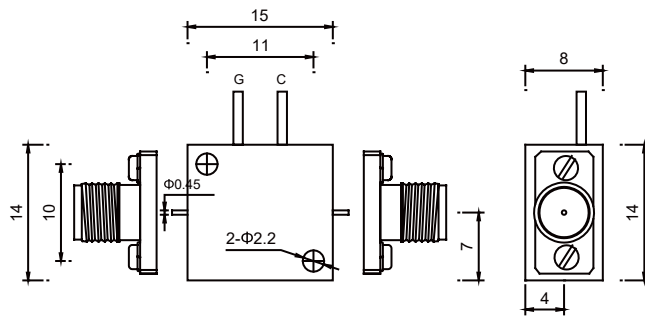
AT2



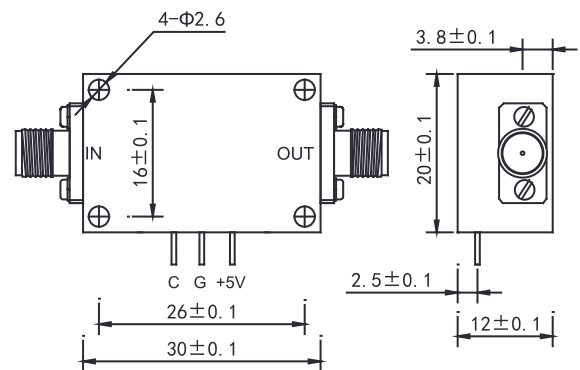
AT3



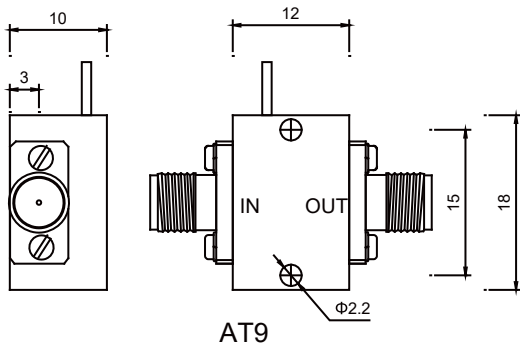
AT4



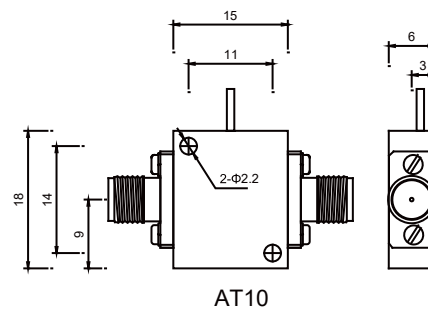
AT6



AT8



AT9



AT10